

**STANLEY**<sup>®</sup>  
Security Solutions

CABINET LOCKS



**L SERIES**  
CABINET LOCKS



| TABLE OF CONTENTS                              |       |             |                                  |
|--|-------|-------------|----------------------------------|
| <b>L Series</b>                                |       | <b>Page</b> |                                  |
| 3L Features/specifications                     | ..... | 2           |                                  |
| 3L How to Order                                | ..... | 2           |                                  |
| 5L Latchbolt specifications/mounting positions | ...   | 3           |                                  |
| 5L Deadbolt mounting positions/strikes         | ..... | 4           |                                  |
| 5L How to Order                                | ..... | 4           |                                  |
| 8L Features/specifications                     | ..... | 5           |                                  |
| <b>E Series</b>                                |       |             |                                  |
| 1E Features/spec's/How to Order                | ..... | 5           |                                  |
| 5E Features/spec's/How to Order                | ..... | 6           |                                  |
|  |       |             | <b>Page</b>                      |
|  |       |             | <b>P Series</b>                  |
|  |       |             | 2P Features/specifications       |
|  |       |             | .....                            |
|  |       |             | 7                                |
|  |       |             | <b>S Series</b>                  |
|  |       |             | 2S Functions/spec's/How to Order |
|  |       |             | .....                            |
|  |       |             | 8                                |
|  |       |             | 3S Features/spec's/How to Order  |
|  |       |             | .....                            |
|  |       |             | 9                                |
|  |       |             | <b>Service Equipment</b>         |
|  |       |             | .....                            |
|  |       |             | 10                               |
|  |       |             | <b>MX8 Patented Keying</b>       |
|  |       |             | .....                            |
|  |       |             | 11                               |

**3L SERIES DEADBOLT**

Operation—Deadbolt locked and unlocked by key. Must be locked by key after door is closed. Key may be withdrawn in locked position and unlocked position.

**Specifications**

- Material**— Bolt is stainless steel, springs are phosphor bronze, all other parts are brass.
- Backset**— 7/8"
- Bolt**— 1 1/8" x 3/16" — 3/4" throw
- Case**— Height 1 21/32", width 2 1/8", thickness 21/32", hole spacing 1 39/64" x 1 1/4"
- Cylinder diameter**— 1 1/8"
- Cylinder length**— 7-pin tumbler, 1 13/64"
- Finish**— Base finish 606 unless otherwise specified.
- Keeper plate**— None supplied.



**3L7RD2**  
(Vertical Only)

**Products protected by one or more of the following patents:**

| U.S.:   |         |         | Canada: |
|---------|---------|---------|---------|
| 4531390 | 4531389 | 4633690 | 1229234 |
| 4663839 | 4075878 | 4616394 |         |
| 4055973 | 4768360 | D290085 |         |
| 4722204 | 4843852 | 5590555 |         |
| 5794472 |         |         |         |

**HOW TO ORDER – 3L**

| 3L                | 7                                       | R                | D           | 2           | 606                               | Std.                     |
|-------------------|---|------------------|-------------|-------------|-----------------------------------|--------------------------|
| Series            | Core                                    | Mounting Housing | Latch Type  | Hand Type   | Standard Finish                   | Cylinder Length          |
| 3L— coin box lock | 7— 7 pin housing accepts all Best cores | R— rim           | D— deadbolt | 2— vertical | 606 612<br>626<br>(cylinder only) | Standard<br>1 1/2"<br>2" |

## Specifications

**Latchbolt function**– Retracted by key to unlock. Key may be with drawn *only* in locked position

**Deadbolt function**– Locked and unlocked by key. Must be locked by key after door is closed. Key may be withdrawn in locked position and unlocked position

**Backset**–  $\frac{7}{8}$ "

**Body thickness**–  $\frac{1}{2}$ "

**Case**– Length  $2\frac{1}{8}$ ", width  $2\frac{19}{32}$ ", thickness  $2\frac{1}{32}$ ", hole spacing  $2\frac{3}{16}$ "

**Cylinder diameter**–  $1\frac{1}{8}$ "

**Cylinder length**–  $1\frac{1}{16}$ "

**Deadbolt**–  $\frac{3}{4}$ " x  $2\frac{5}{64}$ " –  $\frac{1}{2}$ " throw

**Door thickness**–  $\frac{5}{8}$ " minimum for rim type,  $2\frac{1}{32}$ " minimum for mortise type.

**Face**–  $1\frac{7}{8}$ " x  $2\frac{1}{32}$ "

**Latchbolt**–  $\frac{3}{4}$ " x  $2\frac{5}{64}$ " –  $\frac{9}{32}$ " throw

**Material**– Nickel plated zinc case and bolts, stainless steel cover, phosphor bronze spring.

**Strike plate**–  $\frac{3}{64}$ " x  $1\frac{1}{16}$ " x  $1\frac{7}{8}$ ", hole spacing  $1\frac{7}{16}$ ",  $1\frac{1}{4}$ " wide lip.

**T-Option**– Key is removeable only in locked position. (Deadbolt Only)

## 5L SERIES LATCHBOLT Mounting Positions



**Rim**  
(Vertical Mounting)



**Mortise**  
(Vertical Mounting)



**Left-hand**  
(Vertical Mounting)



**Inverted**



**Right-hand**  
(Vertical Mounting)

5L continued next page

**5L SERIES – DEADBOLT**  
Mounting Positions



**Rim**  
(Vertical Mounting)



**Mortise**  
(Vertical Mounting)



**Left-hand**  
(Vertical Mounting)



**Inverted**



**Right-hand**  
(Vertical Mounting)

**5L STRIKES**

Strike plate specification:  $\frac{3}{64}$ " x  $1\frac{1}{16}$ " x  $1\frac{7}{8}$ "; hole spacing  $1\frac{7}{16}$ "



**A-450**  
A00450



**A-451**  
A00451



**A-452**  
A00452



**A-453**  
A00453

**HOW TO ORDER – 5L**

| 5L     | 7                                       | R                    | D                           | 2                          | 606                               |  |
|--------|---|----------------------|-----------------------------|----------------------------|-----------------------------------|--|
| Series | Core Housing                            | Mounting Type        | Latch Type                  | Hand                       | Standard Finish                   | Options  |
| 5L     | 7- 7 pin housing accepts all Best cores | M- mortise<br>R- rim | D- deadbolt<br>L- latchbolt | 2- vertical<br>5- inverted | 606 612<br>626<br>(cylinder only) | T- deadlock (deadbolt only)<br>TR- special trim ring |

## 8L SERIES – MAIL BOX LOCKS

The 8L7SPR mail box lock features the convenience of the interchangeable core, allowing quick combination change, and is adaptable to a number of different mail box manufacturers. The 8L7SPR can be masterkeyed into any existing BEST® system. Variations are available for adaptation purposes.

**To order:** Specify mail box manufacturer and style number, and/or send sample of mail box door.



8L7SPR (Inside)

### Specifications

**Housing**– Steel, zinc plated.

**Cylinder**– Machined from solid aluminum.

**Cylinder head diameter**– 1 1/8".

**Latchbolt**– 9/32" square with bevel.

**Handing**– Right-hand standard – 8LSPR.

**Finish**– 627 standard.

## 1E SERIES – SLABBED CABINET MORTISE CYLINDERS

The special cylinders are threaded to the head, mounted with a hex nut, and slabbed on both sides to prevent turning in the mounting hole.

### Specifications

**Length**– 1E7D4: 1 15/32" from head to cam.

1E7E4: 1 1/4" from head to cam.

**Cylinder diameter**– 1 5/32", 7/8" across flats.

**Thread**– 1.150 - 32 (NS - 2A).

**Finish**– 626 standard.







1E7D4

Direct motion cam prevents key from being withdrawn in unlocked position. Reversible cam may be assembled for required hand at installation.



1E7E4

270° lost motion cam permits key to be withdrawn when locked or unlocked.

| RP Standard Ring Package  | RP1 Ring Package  | RP2 Ring Package   | RP3 Ring Package   |
|---|---|--|--|
| The RP standard ring package includes a 1E-R3 (3/16") and 1E-R5 (3/8") ring.        | The RP1 ring package for the 1E-76 cylinder includes a 1E-R2 (1/8") and 1E-R3 (3/16") ring. | The RP2 ring package for the 1E-64 cylinder includes a 1E-R2 (1/8") and 1E-R4 (1/4") ring. | The RP3 ring package for the 1E-62, 1E-72 and 1E-74 cylinders includes a 1E-R2 (1/8") and a 1E-R5 (3/8") |
|  |          |        |                     |
| 1E-R3 – 3/16"    1E-R5 – 3/8"   | 1E-R2 – 1/8"    1E-R3 – 3/16"   | 1E-R2 – 1/8"    1E-R4 – 1/4"   | 1E-R2 – 1/8"    1E-R5 – 3/8"   |

**Note:** RP5 includes – 1ER2, 1ER4 & 1ER5

### HOW TO ORDER – 1E

| 1E                | 7                                       | E4                                   | RP3   | 626                           |
|-------------------|---|--------------------------------------|---|-------------------------------|
| Cylinder Diameter | Core Housing                            | Function Code                        | Rings   | Finishes                      |
| 1E- 1 5/32"       | 7- 7 pin housing accepts all Best cores | D4- direct motion<br>E4- lost motion | RP- 3/16" and 3/8"<br>RP1- 1/8" and 3/16"<br>RP2- 1/8" and 1/4"<br>RP3- 1/8", 1/4" and 3/8" | 605 606<br>612 613<br>625 626 |

**5E SERIES 3/4" UTILITY CYLINDER**

**5E Specifications:**

**5E6 – Series**

“A” (Body length)–  $3\frac{1}{32}$ " , Body diameter–  $\frac{3}{4}$ " , Body– 6 pin, Head diameter–  $\frac{7}{8}$ " , Finish – 626,  
 “B” (Max. mounting thickness)–  $\frac{11}{16}$ "

**5E7 - Series**

“A” (Body length)–  $1\frac{1}{8}$ " , Body diameter–  $\frac{3}{4}$ " , Body– 7 pin, Head diameter–  $\frac{7}{8}$ " , Finish– 626,  
 “B” (Max. mounting thickness)–  $\frac{27}{32}$ "



**5E– Straight Cam**

**Standard 5E Assembly unit includes:**

Keyed  $\frac{3}{4}$ " with cam (specify cam length - if length is not specified, the 5EC1 x  $\frac{7}{8}$ " will be supplied as standard), hex nut, spacer collar (not supplied unless length is specified), and lock washer.

**Application:**

Fits standard  $\frac{3}{4}$ " cylinder installations for e.g. desks, file cabinets, coin-operated vending machines, utility cabinets, storage cabinets, elevators, and security alarm control panels.

**Material finish:**

Solid extruded brass cylinder body, 626 finish standard.

**Cam motion operation:**

TYPE “A” - Standard 5E cylinder key rotates 360° right or left.

TYPE “B” - Limited motion cam operation 90° or 180° as required.

TYPE “C” - Lost motion cam operation 90°: Key removal with cam in locked or unlocked position.

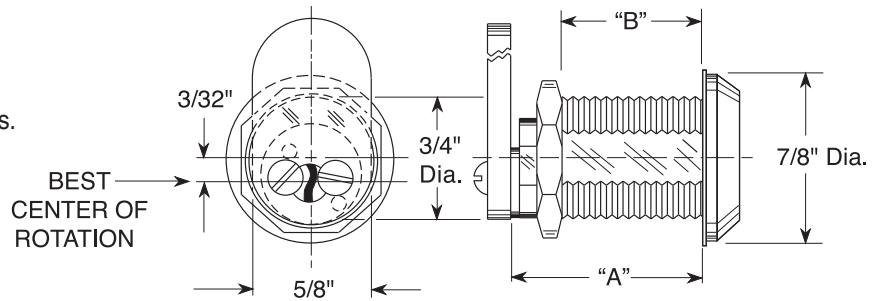
TYPE “D” - Throw member-type drive. Two throw pins engage key plug from rear of cylinder. (Direct 360° action-R or L.)

Throw member types available upon request.

**Cam & Spacer Collar:**

Cam variations are detailed in the cylinder catalog section and may be modified for use on the 5E cylinder. Standard cams are factory attached to key plug with screws. Spacer collars may be required to position the cam for proper lock operation. The spacer collar is installed between the 5E cylinder head and the mounting surface. Both straight collars and special tapered collars available by request.

**To order:** For more information see E series catalog section.



**HOW TO ORDER – 5E**

| 5E                  | 7                             | A                                      | 1                            | C   | R708   | 4B   | 21  | 12   | R                   | 90                                | 626           |
|---------------------|-------------------------------|--|------------------------------|---|--|--|---|--|---------------------|-----------------------------------|---------------|
| Series              | Lock Body                     | Keyway                                 | Combining Code               | Cam Motion  | Ring Length  | Cam  | Cam Length  | Mounting Position  | Cam Direction       | Degree of Rotation                | Finish        |
| 5E– $\frac{3}{4}$ " | 6– 6 pin<br>7– 7 pin<br>cores | designate specific keyway (A, E, etc.) | 1– uncombined<br>2– combined | A– direct<br>B– limited<br>C– lost<br>D– throw member | R701– $\frac{1}{16}$ "<br>R702– $\frac{1}{8}$ "<br>R703– $\frac{3}{16}$ "<br>R704– $\frac{1}{4}$ "<br>R705– $\frac{5}{16}$ "<br>R706– $\frac{3}{8}$ "<br>R707– $\frac{7}{16}$ "<br>R708– $\frac{1}{2}$ " | 1–fixed straight<br>2A– fixed offset in<br>2B–fixed offset out<br>3–lost motion<br>4A–lost motion offset in<br>4B–lost motion offset out<br>D–direct throw | 10– $\frac{5}{8}$ "<br>12– $\frac{3}{4}$ "<br>14– $\frac{7}{8}$ "<br>16– 1"<br>and so forth in $\frac{1}{16}$ of inch | 3– 3 o'clock<br>6– 6 o'clock<br>9– 9 o'clock<br>12– 12 o'clock | R– right<br>L– left | 90– 90°<br>180– 180°<br>360– 360° | 626– standard |

## 2P SERIES PUSH LOCKS FOR FILE CABINETS

### Specifications

**Material**– All parts are solid brass; phosphorbronze springs.

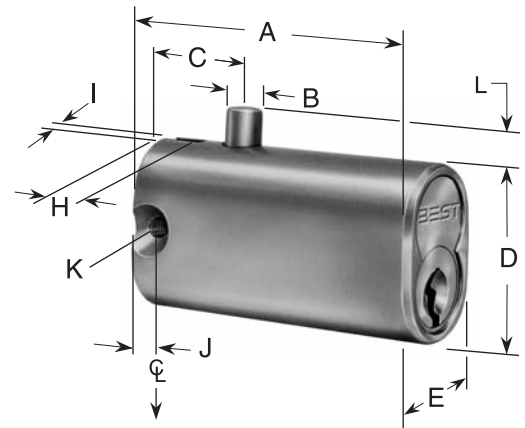
**Dimensions**– See illustrations and table below.

**Finish**– 2P Series 626 (satin chrome) standard finish.

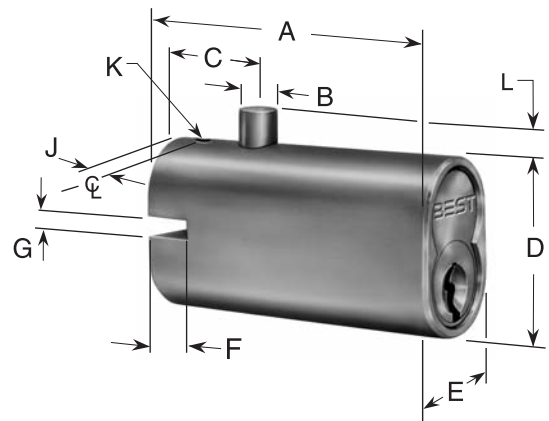
5P series finish to match satin chrome. (7 pin only).

Two types of file cabinet push locks are available from Stanley Security Solutions. The 2P series incorporates the BEST® interchangeable core and requires special cabinet preparation. The 5P series replaces standard industry size file cabinet locks without modification of lock opening, but does not have the interchangeable core features. Both may be keyed individually, keyed alike, masterkeyed or grand-masterkeyed with other BEST® lock of any type.

**To order:** Specify proper lock, finish and keying instructions.



2P73 Vertical mounting slot



2P74 Horizontal mounting slot

### 2P Series Specifications

| Dimensions in inches            |         |      |        |        |      |       |      |       |      |       |       |       |
|---------------------------------|---------|------|--------|--------|------|-------|------|-------|------|-------|-------|-------|
| Vertical Mounting Slot          |         |      |        |        |      |       |      |       |      |       |       |       |
|                                 | A       | B    | C      | D      | E    | F     | G    | H     | I    | J     | K     | L     |
| <b>2P73</b><br><b>(7Barrel)</b> | 2 9/32" | 1/4" | 19/32" | 1 1/8" | 3/4" |       |      | 5/16" | 1/8" | 5/32" | #6-32 | 5/32" |
| Horizontal Mounting Slot        |         |      |        |        |      |       |      |       |      |       |       |       |
| <b>2P74</b><br><b>(7Barrel)</b> | 2 9/32" | 1/4" | 19/32" | 1 1/8" | 3/4" | 5/16" | 1/8" |       |      | 5/32" | #6-32 | 5/32" |

## 2S SERIES PUSH LOCKS FOR SLIDING DOORS

### Specifications

**Case**– extruded brass.

**Width**– 1 1/2"

**Thickness**– 23/32"

**Inside face plate**– 2 3/4" x 7/8", hole spacing 2 3/16".

**Detachable face plate**– 1 1/16" x 1 1/8" x 2 3/4", hole spacing 2 3/16".

**Strike**– 2 3/4" x 1 1/8", 2 3/16" hole spacing.

**Finish**– 626 supplied unless otherwise specified.



**2S73 Surface Mounted**  
(BHMA E07161)

### FUNCTION CODE CHART

| Function Code | Door                     | Bolt Thickness  | Operation   |
|---------------|--------------------------|---|---|
| 73            | 19/32" dia.<br>to 1 5/8" | 19/32" dia.<br>1/2" throw                                 | When unlocked, case of lock moves out through door stile and may be used as handle for moving door. To lock 2S73 and 2S74, push case in through door. Spring locking action. To lock 2S75, operate key and push case "IN" through door to engage bolt retaining pin behind strike plate in opposite door. |
| 73 x TBM      | 7/8"<br>to 1 5/8"        | 19/32" dia.<br>1/2" throw                                 |   |
| 74 x TBM      | 7/8"<br>to 1 5/8"        | 19/32" dia.<br>3/4" throw                                 |   |
| 75 x TBM      | 3/4"<br>to 1 5/8"        | 1/2" dia.<br>x 7/16" bolt engagement.<br>1/8" locking pin |   |



**2S74 x TBM Through-Bolt Mounted**  
(BHMA E07161)

### HOW TO ORDER 2S

| 2S  | 7                | 5             | 626             | ** |
|---|------------------|---------------|-----------------|----|
| Series  | Core Housing     | Function Code | Standard Finish |    |
| 2S– push lock for sliding door accepts all BEST cores | 7– 7 pin housing | see above     | 626             |    |

Must specify key mark and number of keys or designate L/C for less core.



**2S75 Surface Mounted with retaining pin**  
(BHMA E07181)



## 3S SERIES SLIDING PANEL LOCKS

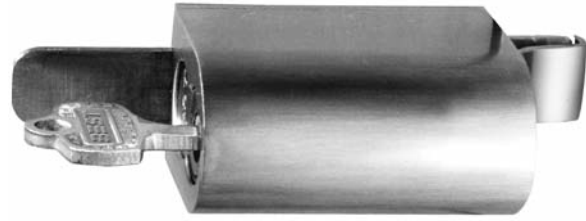
### Specifications

**Strike strap**– stainless steel, 1/2" wide.

**Locking housing**– aluminum.

**Finish**– 627 aluminum only.

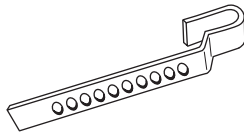
**Operation**– A stainless steel strap mounts permanently on the inner sliding panel. When panels are closed, the tongue of the strike strap extends beyond the edge of the outer panel. To lock panels, slide lock housing onto overlapping tongue and up against edge of outer panel. Lock by turn of key. Key is removable in locked position only.



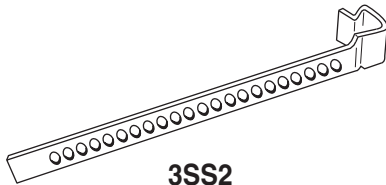
3S75



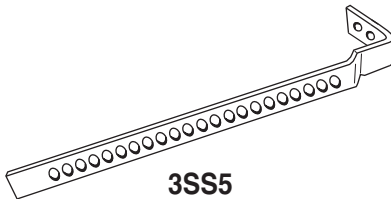
3S77



3SS1



3SS2



3SS5

### SPECIFICATIONS

| Strike strap | Length | Thickness |
|--------------|--------|-----------|
| 3SS1         | 4 1/4" | 1/4"      |
| 3SS2         | 6 1/4" | 7/32"     |
| 3SS3         | 6 1/4" | 5/16"     |
| 3SS4         | 6 1/4" | 13/32"    |
| 3SS5         | 6 1/4" | 3/4"      |

### HOW TO ORDER – 3S

| 3S Series              | 7 Core Housing                          | 5 Function Code  | S2 Strike Strap  | 627 Finish    |
|------------------------|---|--|--|---------------|
| 3S– sliding panel lock | 7– 7 pin housing accepts all BEST cores | 5– straight lock housing<br>7– captured panel lock<br>8– housing with 1" extension | S1– 4 1/4" x 1/4"<br>S2– standard unless otherwise specified<br>S3– 6 1/4" x 5/16"<br>S4– 6 1/4" x 13/32"<br>S5– 6 1/4" x 3/4" | 627– standard |

**SERVICE EQUIPMENT**

**5E254**

**Metal Punch and Die**

This tool provides a quick method for cutting accurate 3/4" slabbed holes in metal cabinets in order to mount the 5E cylinder. Slabbed side prevents cylinder from turning or being forced with head wrench.

**To order specify: 5ED254 punch and die.**



**5ED254– Metal Punch and Die**

**5ED253 Thread Tap**

Matches standard 24 thread on 5E series cylinder locks.

**To order specify: 5ED253 thread tap**



**5ED253– Thread Tap**

**5ED261 Capping Block**

The capping process for single shearline 5E cylinders requires the following:

**5E slide caps: 5ECP6– 6 pin  
5ECP7– 7 pin**

**5E Cylinder: 5ED261 Capping Block  
5ED262 Cap Depressor**



**5ED261– 5E  
Capping Block**

**Service Equipment for 5E Cylinders (single shearline)**

Best single shearline locks may be combined to Grand Master, Master and/or any operating combinations in your BEST system. Utilizes the AD433 Key Combinator. See (D Series) Service Equipment Catalog for details.

**5ED250 Combinating Kit (single shearline)**

Similar to standard CD431 kit for figure 8 cores, the single shearline kit provides a special 5ED261 capping block, springs (5ES1) and caps (5ECP)

**To order specify:**

- 5ED250 - 2 (for A2 system)**
- 5ED250 - 3 (for A3 system)**
- 5ED250 - 4 (for A4 system)**

**Pin Segments (included in kit)**

Close tolerance segments assist in accurate combining.

**To order:** Contact your local Best Representative.

**Core Springs (included in kit)**

This properly sized spring facilitates consistent action in all BEST figure 8 cores.

**To order specify: 22S springs.**

**Core Caps (included in kit)**

Barrels are securely sealed by applied core caps.

**To order specify: 21C caps.**



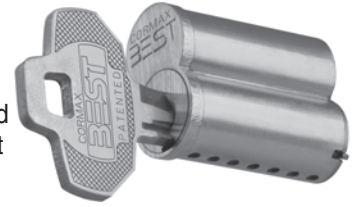
**5ED250– Combinating Kit  
(single shearline)**

## CORMAX™ PATENTED KEYING SYSTEM

One of the greatest threats to key control within your facility is the unauthorized duplication of keys; one simple solution is the use of the CORMAX™ Patented Keying System.

Very seldom can a single product meet all of your exact needs, and often your level of convenience must be sacrificed to fit the capabilities of the product. The CORMAX Patented Keying System provides you with an significant amount of flexibility, enabling a solution that fits your unique balance between security and convenience.

The CORMAX Patented Keying System is available in two series of keyways, the M Series and the X Series. Each series offers a different blend of features. For example the CORMAX Patented Keying System can provide geographic exclusivity to the customer to help you maximize convenience while optimizing your security.



**CORMAX™  
Patented Keying System**

### **M Series Keyway Features**

- Patented keys operate both CORMAX and Standard BEST cores (backward compatibility) with existing BEST keyway (J,K,L,M only). Standard keys do not operate CORMAX cores.
- Available in large bow, long blade, and long nose key blanks to work with special applications.
- Available in core designs for use in special application locks, such as high security mortise, hotel cylinders, and glass display-case locks.
- Utilizes the same combining kits and key cutting equipment as the Standard BEST keyways.
- M Series keys operate CORMAX cores and Standard (non-patented) BEST cores. Standard key blanks do not operate CORMAX cores.

### **X Series Keyway Features**

- Distinctive key design includes thicker key blanks with larger bow for added strength and easier handling.
- Keyways are unique to CORMAX Patented Keying System offering even higher key duplication protection.
- CORMAX keyways utilize the standard combining kit, minimizing the expense of system changeover.
- X Series keys operate CORMAX cores only.



For more information on Stanley Security Solutions' products, services, and office locations visit our web site at [www.stanleysecuritysolutions.com](http://www.stanleysecuritysolutions.com)

Product information contained in this catalog has been compiled and presented with as much care and completeness as is reasonably possible. Errors or mistakes may be present, and in many cases, reliance has been placed on information supplied by other manufacturers which may be in error or which may be subject to changes or modifications by the manufacturer without notice and without obligation. Therefore, no guarantee can be made or should be assumed or implied with regards to product information contained in this catalog.



**Stanley Security Solutions, Inc.**  
6161 E. 75th Street Indianapolis, Indiana 46250  
[www.stanleysecuritysolutions.com](http://www.stanleysecuritysolutions.com) • © 2010 Stanley Security Solutions, Inc.

10M R410  
BAS029